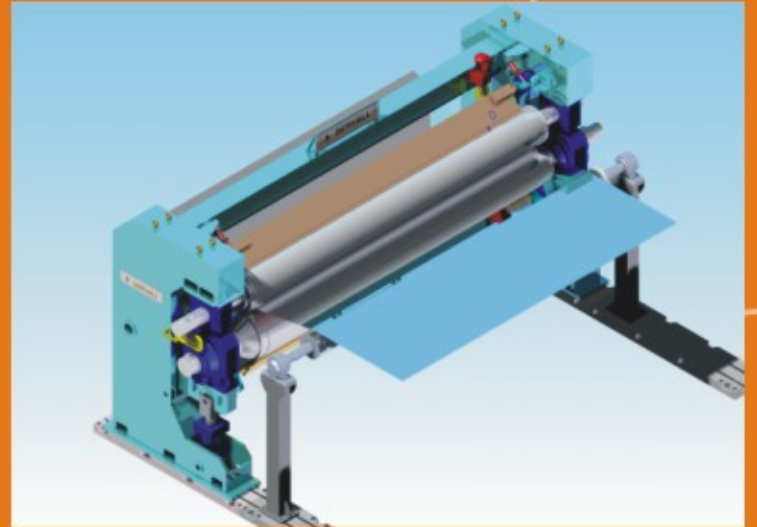
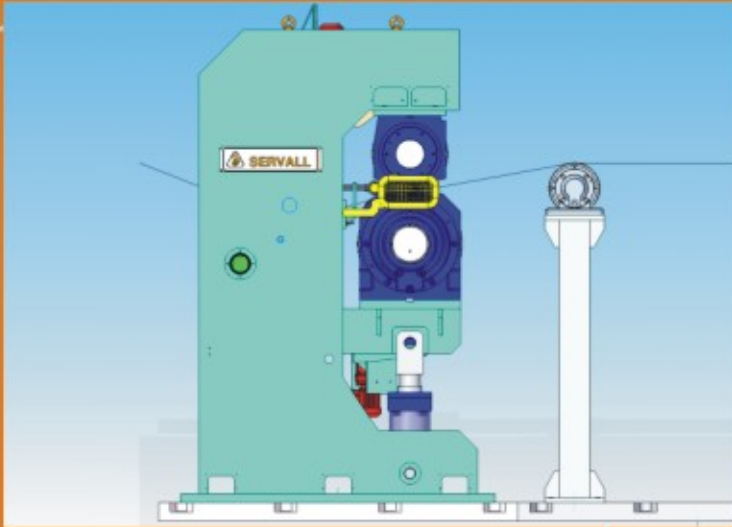


# CALENDARS



- Open stack, Single Hard nip, Soft Nip etc. types of calendars
- Built around imported Calendar rolls - Swimming & Thermo Rolls
- Built around Chilled Cast Iron rolls for Open Stack type
- Sturdy Frames engineered for long life
- Hydraulic Nip relieving.
- Simple & Easy to operate.
- Adjustable eccentricity for Intermediate rolls.
- Easy & Exact roll aligning.
- Workshop pre erection & functional control reduce site erection time.
- Automatic Web feeding.
- Modern Doctors - Oscillating with air nozzles

